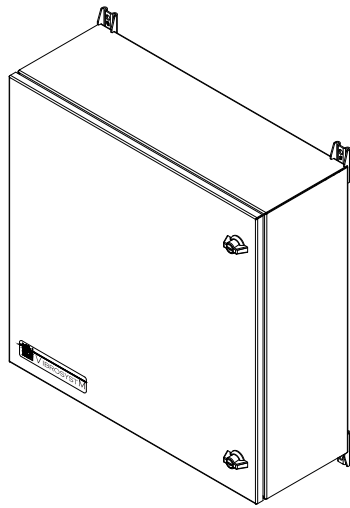


Drawing Rev.	Date	Description	Drawn by:	Checked by:	Approved by:
A	18-FEV-2014	ORIGINAL DATASHEET	P. VILLENEUVE	LP. LALONDE	A. BRUNELLE



Physical Characteristics

- Internal Equipment Mounting
 - Mounting Type: Standard 19"
 - Total Space: 12U
 - Available Space: 8U
 - Mechanical Mounting: Anti-Vibration Dampers
 - Included: hardware for internal equipment installation and grounding
- Enclosure Construction: 1.9 mm [0.075 in] Gauge 14
- Color (Inside & Outside): ASA 61 Grey
- Finish: Textured Recoatable Powder Coating
- Lock: Wing Knob Lock with Keys (2x)

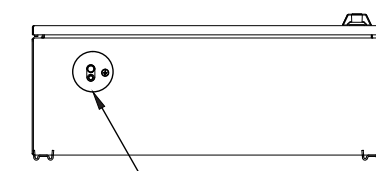
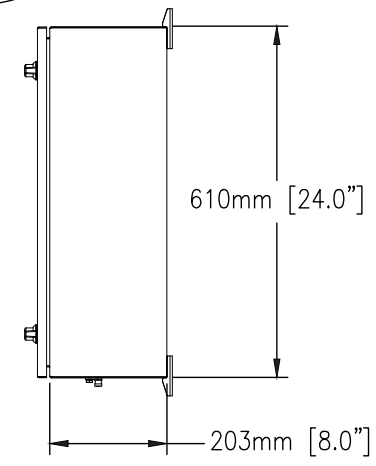
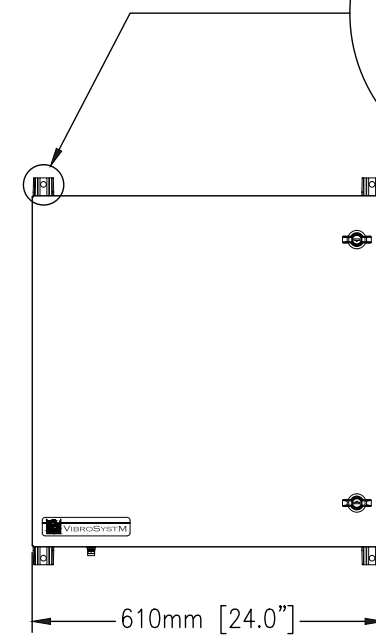
Power Supply Specifications

- Input Voltage: 100-240 Vac
- Input Frequency: 50/60 Hz
- Consumption: 120 W max.
- Input Protection: 10 A Breaker
- Surge Protection
 - IEC Category / EN Type: III / T3
 - Protection Level: L-N: ≤ 1.1 kV, L(N) - PE: ≤ 1.5 kV
- Noise Filter: EMI Filter
- Output Voltage: 24 Vdc (Adjustable from 22.5 Vdc to 28.5 Vdc)
- Output Current: 4 A max.
- Common Isolation: Common to Ground Isolation Capacitor

Environment

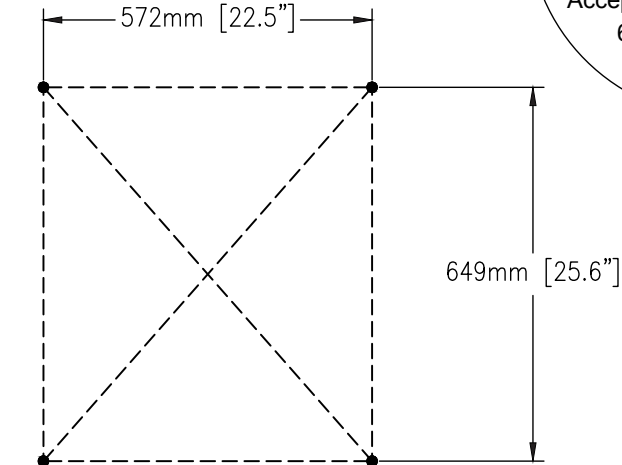
- Ambient Temperature: 0 to 40°C [32 to 104°F]
- Protection Rating: NEMA Type 3R, 4, & 12 IEC 60529, IP66

4 MOUNTING HOLES
ø 10 mm [0.39"]

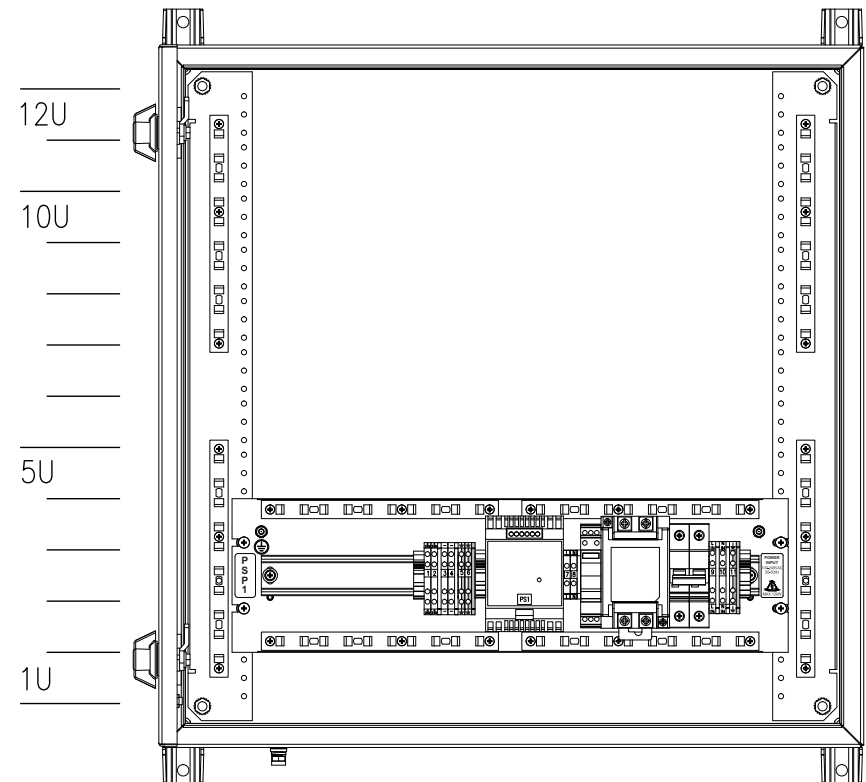


PROTECTIVE CONDUCTOR TERMINAL
(located underneath the enclosure)

Accepts bare copper wire from
6 mm² [10 AWG] to
16 mm² [4 AWG]



DRILLING LAYOUT



D
C
B
A

D
C
B
A



© Copyright VibroSystM inc. 2014
VibroSystM Inc. reserves the right to make changes without prior notice to improve the product.

Scale: Sheet: 1 of 1
Product Number: 9675-18D1A-100
Drawing Number: 9675-18D1X-100-J01
Rev.: A

Title: Wall Mounted 24-24-8 Enclosure c/w AC Power Input with Filters
Datasheet

Rev.: A
Drawing Number: 9675-18D1X-100-J01