



CONNECTORIZED INTERNAL FLANGE

WITH PENETRATION FLANGE AND PROTECTION BOX

CONNECTORIZED INTERNAL FLANGE

TECHNICAL SPECIFICATIONS

Connection

- Type Male to Male M12, 5-Pin Feedthrough Connector
- Number of Connectors 9 or 12
- Maximum Voltage 30 V
- Maximum Current 200 mA

Environment

- Temperature Range
 - Operating 0 to 70 °C [32 to 158 °F]
 - Storage -20 to 70 °C [-4 to 158 °F]
- Operating Pressure Tested underwater for no visible leakage, using hydrogen tracer gas @ 690 kPa [100 psi]

Physical Characteristics

- Material 6061-T6 Aluminum
- Finish Nickel-Plated
- Weight 1 kg [2.2 lb]
- Sealing Viton® O-ring AS-568-250
- Protection Rating IP54
- Mounting Using Penetration Flange

PENETRATION FLANGE WITH SAFETY COVER

TECHNICAL SPECIFICATIONS

Physical Characteristics

- Material AISI 1045 Steel
- Finish Nickel-Plated
- Weight
 - Flange 14.8 kg [32.6 lb]
 - Safety Cover 3.6 kg [7.9 lb]
- Safety Cover Seal Viton® O-ring (Included) AS-568-266
- Mounting Welding

FLANGE PROTECTION BOX

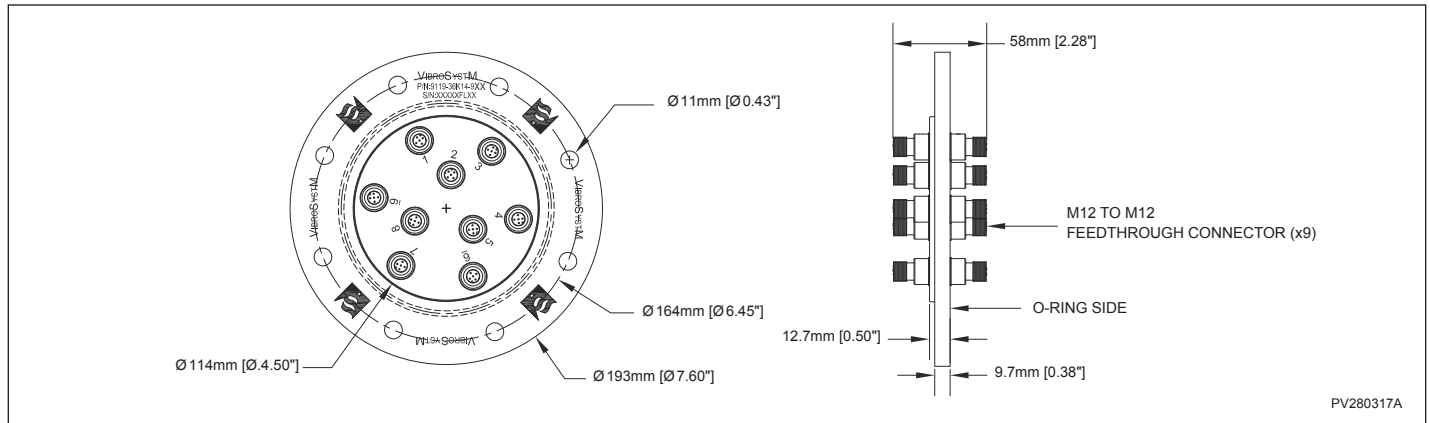
TECHNICAL SPECIFICATIONS

Physical Characteristics

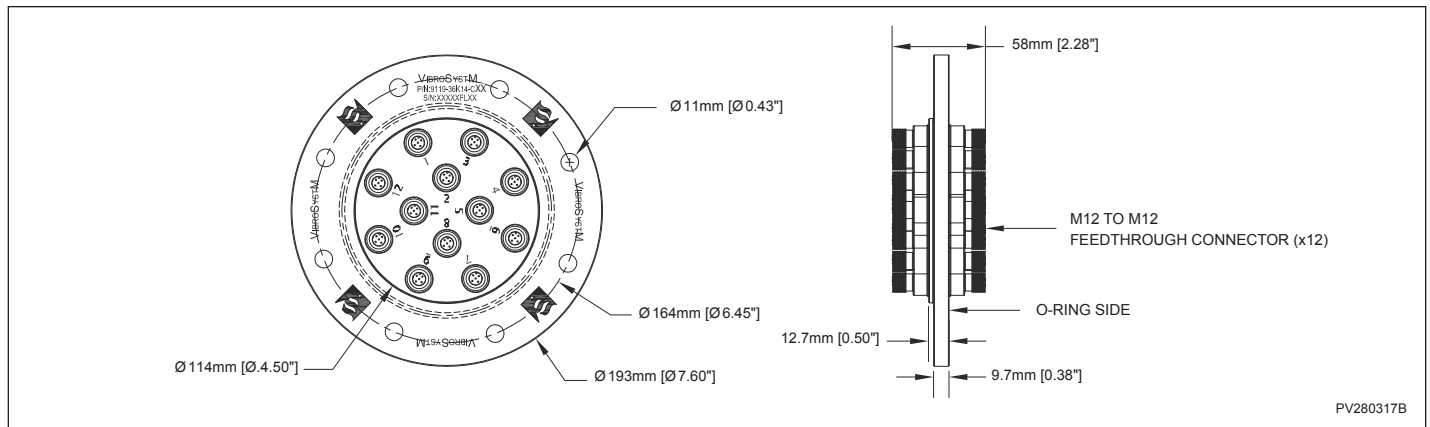
- Material 16 Gauge Steel
- Finish Painted, ASA 61 Grey
- Protection Rating IP21
- Ventilation Holes 4 on Top, ø6 mm [0.25 in]
- Drain Holes 4 on Bottom, ø6 mm [0.25 in]
- Mounting Slotted Leveling Holes



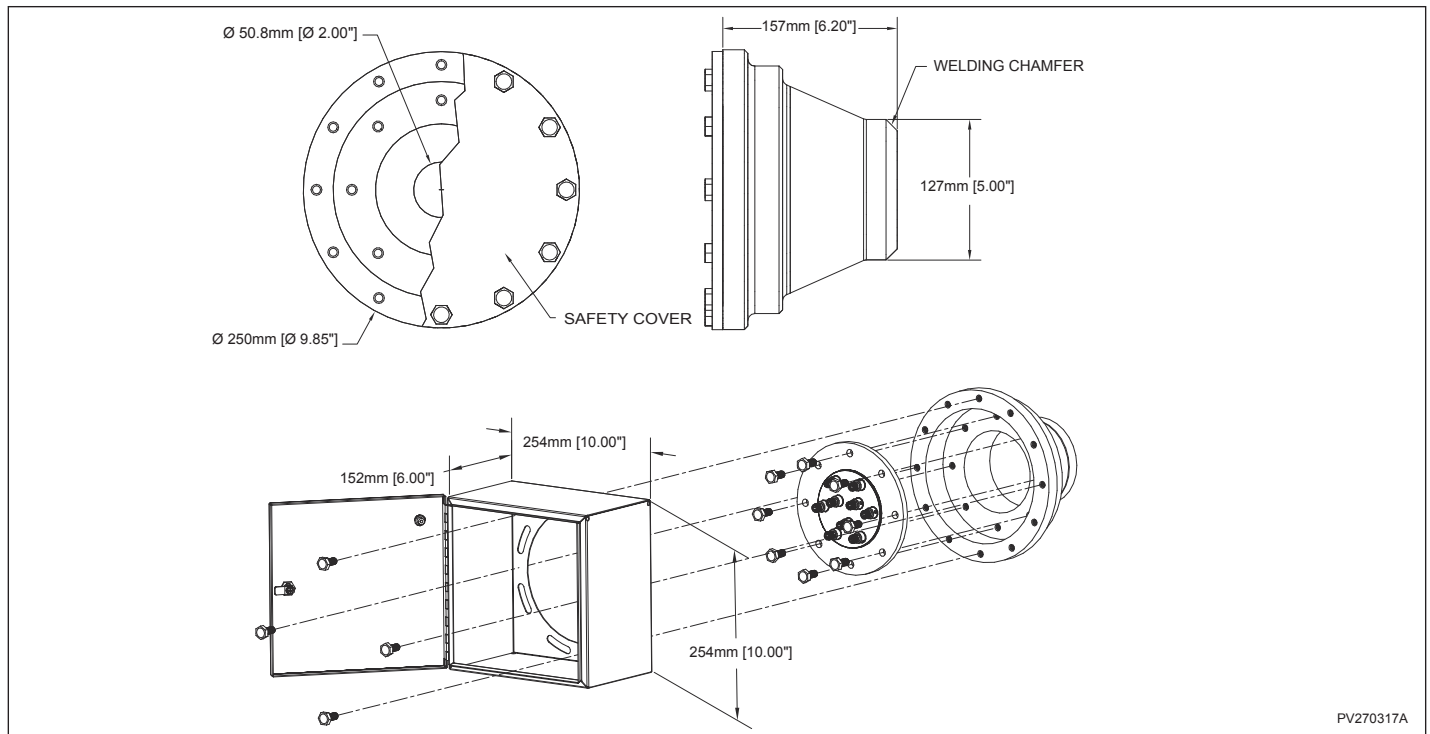
DIMENSIONS - M12 x 9 CONNECTORIZED INTERNAL FLANGE



DIMENSIONS - M12 x 12 CONNECTORIZED INTERNAL FLANGE



DIMENSIONS - FLANGE WITH SAFETY COVER AND PROTECTION BOX





PRODUCT IDENTIFICATION

Product Number	Description
VSM-FLG-9M12	Connectorized internal flange (M12 x 9)
VSM-FLG-12M12	Connectorized internal flange (M12 x 12)
VSM-FLG-W	Penetration flange (welded) with safety cover
VSM-ORING-FLG-COVER	Seal for penetration flange cover
VSM-ORING-FLG-I	Seal for connectorized internal flange
VSM-PBOXFLG-10-10-6	Protection box 10-10-6 for flange

Publication: 2018-05-11

VibroSystM Inc. www.vibrosystem.com

VibroSystM Inc. reserves the right to change specifications to improve products without notice.
NOTICE: Trademarks referenced herein are trademarks and registered trademarks of VibroSystM Inc. or third parties, and are the property of their respective owners. Third party trademarks are used for identification purposes only and shall not be construed as indicative of any relationship or endorsement between VibroSystM Inc. and the third parties.

9619-36D1A-111_Connectorized Internal Flange