

M12 x 9

Connectorized Internal Flange

Hydrogen-cooled turbo generators require specialized flanges to communicate with outside instrumentation systems without creating hydrogen leaks and pressure losses. The M12 x 9 connectorized internal flange is factory tested to withstand high pressure levels and comes with a high quality O-ring seal that guarantees trouble-free operation. The M12 connectors also offer the flexibility to transmit a wide variety of signal types.

General Specifications

Connection

- Type: Male to Male M12, 5-Pin Feedthrough Connector
- Number of Connectors: 9
- Maximum Voltage: 30 V
- Maximum Current: 200 mA

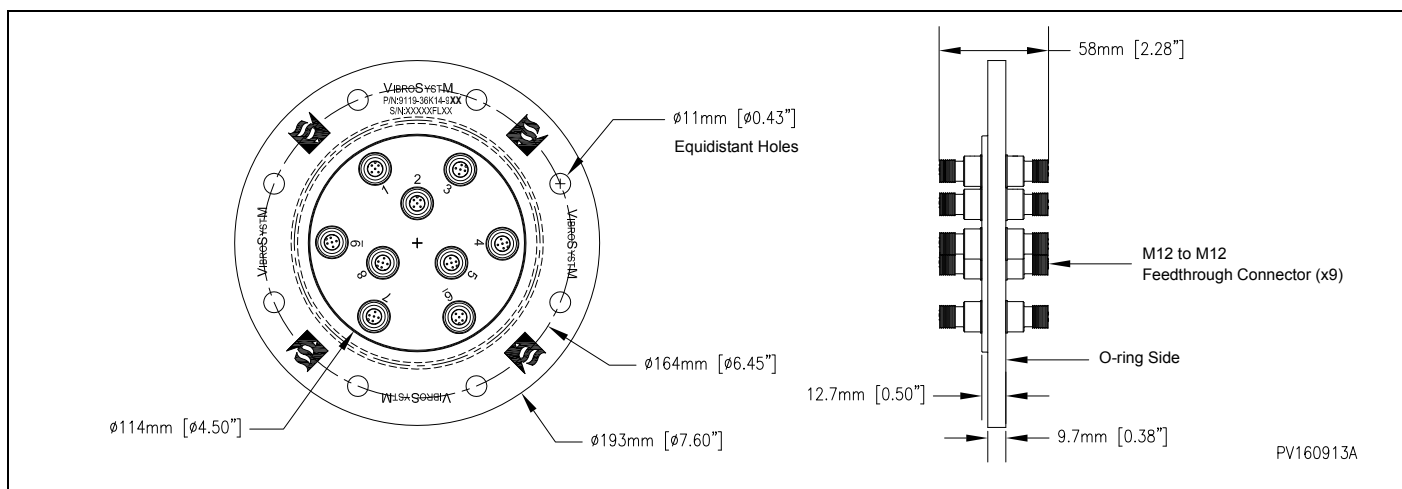
Environment

- Galvanic Corrosion Protection: Non-Conductive Film Installed on O-ring Side
- Temperature Range:
 - Operating: 0 to 70 °C [32 to 158 °F]
 - Storage: -20 to 70 °C [-4 to 158 °F]
- Operating Pressure: Tested underwater for no visible leakage, using hydrogen tracer gas @ 690 kPa [100 psi]

Physical Characteristics

- Material: 6061-T6 Aluminum
- Finish: Matte Black Film (O-Ring Side)
- Sealing: Viton® O-ring AS-568-250
- Weight: 1.2 kg [2.5 lb]
- Protection Rating: IP54
- Mounting: Using Penetration Flange

Dimensions





Optional Equipment - General Specifications

Penetration Flange with Safety Cover

Physical Characteristics

- Material: AISI 1045 Steel
- Finish: Nickel-Plated
- Plating Thickness: Max: 15 μm [0.6 mil]
- Weight: 29.4 kg [65 lb]
- Safety Cover Seal: Viton O-ring (Included)
AS-568-266
- Mounting: Welding

Flange Protection Box

Physical Characteristics

- Material: 14 Gauge Steel
- Finish: Painted, ASA 61 Grey
- Protection Rating: IP21
- Ventilation Holes: 4 on Top, $\varnothing 6\text{mm}$ [0.25 in]
- Drain Holes: 4 on Bottom, $\varnothing 6\text{mm}$ [0.25 in]
- Mounting: Slotted Levelling Holes

Dimensions - Complete Assembly

