



SYNCHRONIZATION PROBE

1/REV. REFERENCE

GENERAL SPECIFICATIONS

Operation

• Measuring Range	4 mm [157 mils]
• Recommended Target Distance	2 ± 0.5 mm [79 ± 20 mils]
• Maximum Switching Frequency (target passage duration: 500 µsec min.)	2 kHz max.
• Output Circuit	Open Collector Transistor (NPN)
• Output State Indicator	Amber LED
• Output Current	200 mA max.
• Voltage Drop	2 Vdc max.
• Short Circuit Protection	Built-In

Power Requirements

• Voltage	10 to 30 Vdc
• Consumption	10 mA max.
• Load Resistance	150 Ω min. (pull up)
• Reverse Polarity Protection	Built-In

Connection

• Connector Type	M12 4-Pin Male Connector *
• Extension Cable Maximum Length	300 m [984 ft]

Environment

• Temperature Range	
Operating	0 to 70 °C [32 to 158 °F]
Storage	-25 to 70 °C [-13 to 158 °F]

Physical Characteristics

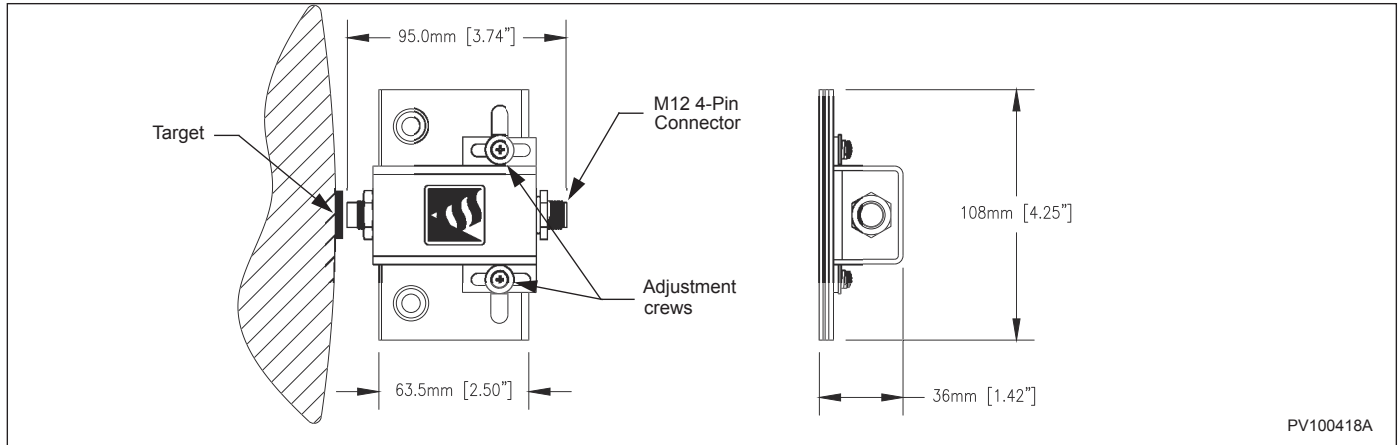
• Probe Material	
Head	Polybutylene terephthalate
Casing	Aluminium
Connector Body	Zinc Die Cast, Nickel Plated
• Target Material	Steel
• Target Dimensions	20 mm x 10 mm x 3mm [0.79 in x 0.39 in x 0.12 in]

Note: To connect the synchronization probe to the acquisition unit, you also need either:

- one M12 4-pin female connector, and a sufficient length of shielded signal cable (22 AWG), or
- one signal cable with pre-wired M12 connector



DIMENSIONS



PRODUCT IDENTIFICATION

Product Number	Description
VSM-SYNCHRO	Synchronization probe