



## SIGNAL CABLE

### WITH PRE-WIRED M12 STRAIGHT CONNECTOR

#### GENERAL SPECIFICATIONS

##### Operation

• Max. current (at 40°C [104°F])	4 A
• Max. voltage	250 V
• Nominal capacitance	
Conductor to conductor	≤ 80 pF/m
Conductor to shield	≤ 135 pF/m
• Insulation resistance (at 20°C [68°F])	> 100 GΩ · km
• Conductor resistance (max., at 20°C [68°F])	58 Ω/km
• Connector type	M12 x 1 female, straight, shielded (one end only)
• Number of conductors	4
• Wire colors	Brown, white, blue, black
• Overall twist	4 twisted wires

##### Environment

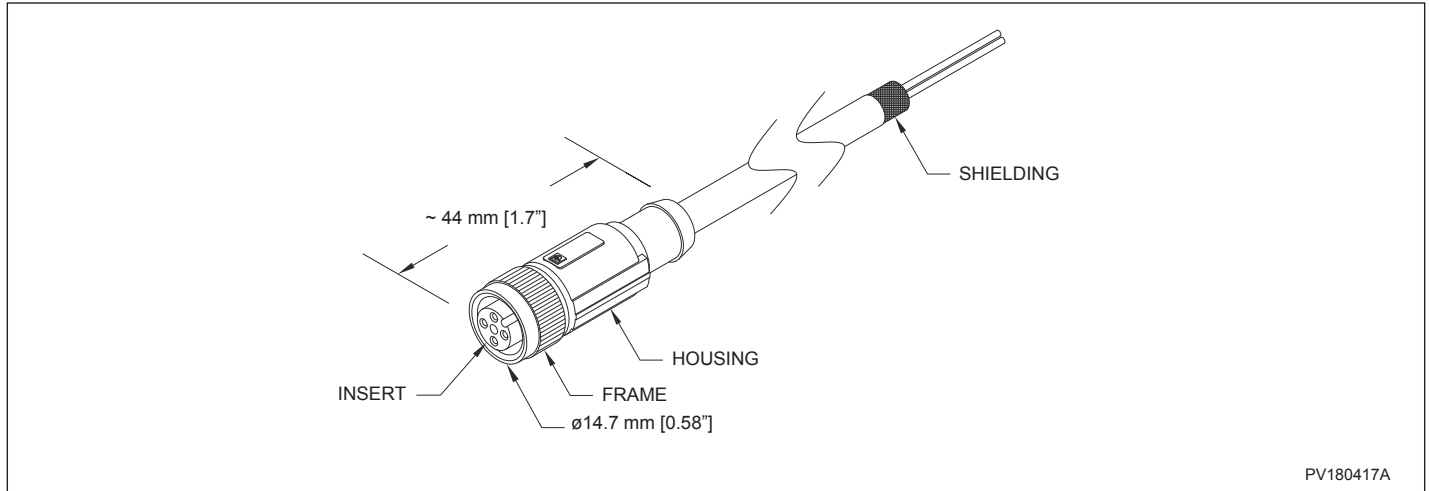
• Temperature range	
Operating and storage	-25 to 80 °C [-13 to 176 °F]
• Protection rating	IP65, IP67
• Flame resistance	In accordance with UL FT-2
• Halogen-free	In accordance with DIN VDE 0472 Part 815 & DIN EN 50267-2-1
• Resistance to oil	In accordance with DIN EN 60811-2-1

##### Physical Characteristics

• Cable length	100 m [328 ft]
• Optical shield covering	85%
• Shielding	Tinned copper braided shield
• Minimum bending radius	29.5 mm [1.16 in]
• External cable diameter	5.9 mm ± 0.2 mm [232 ± 8 mils]
• Outer jacket material	Polyurethane (PUR)
• Conductors	
Cross section	4 x 0.34 mm <sup>2</sup> [AWG 22]
Insulation	Polypropylene (PP)
Material	Copper, multi-strand
• M12 connector	
Contact surface material	Ni/Au
Housing material	Thermoplastic polyurethane (TPU)
Frame material	Zinc die-cast, nickel plated
Insert material	Thermoplastic polyurethane (TPU)



## DIMENSIONS



## PRODUCT IDENTIFICATION

Product Number	Description
VSM-CBL-M12SC4-100	Cable / M12 straight connector - 4 wires (100 m/ 328 ft)