



## SIGNAL CABLE

### 4-Conductor

The 4-conductor signal cable is the link between sensors and acquisition units. Thanks to its innovative PUR jacket technology, this fire retardant and anti-abrasive cable can resist to very harsh industrial environments containing hydrogen or oil. It insures a reliable connection from the sensor to processing instrumentation without losing essential data.

### General Specifications

#### Operation

- Number of Conductors 4
- Wire Colors Brown, White, Blue, Black
- Overall Twist 4 Twisted Wires
- Optical Shield Covering 85%
- Shielding Tinned Copper Braided Shield
- Minimum Bending Radius 29.5 mm [1.16 in]
- Nominal Voltage Conductor < 300 V
- Conductor Cross Section 4 x 0.34 mm<sup>2</sup> [AWG 22]
- Nominal Capacitance
  - Conductor to Conductor ≤ 80 pF/m
  - Conductor to Shield ≤ 135 pF/m
- External Cable Diameter 5.9 mm ± 0.2 mm [232 ± 8 mils]

- Outer Jacket Material Polyurethane (PUR)
- Conductor Insulation Polypropylene (PP)
- Conductor Material Bare Cu Litz Wires
- Insulation Resistance > 100 GΩ\*km (at 20°C [68°F])
- Conductor Resistance Max. 58Ω/km (at 20°C [68°F])

#### Environment

- Temperature Range
  - Operating and Storage -25 to 80°C [-13 to 176°F]
- Flame Resistance In Accordance with UL FT-2
- Halogen-Free In Accordance with DIN VDE 0472 Part 815 & DIN EN 50267-2-1
- Resistance to Oil In Accordance with DIN EN 60811-2-1



## M12 CONNECTOR

### Non-Shielded, Straight Female Type

Suitable for harsh industrial environments, the M12 connector offers the flexibility to transmit a wide variety of signal types or parameters. The fast-connection principle not only allows a quick and easy connection to signal cables, but also eases cable routing before installing the connector.

### General Specifications

#### Operation

- Number of Positions\* 4
- Max. Current at 40°C [104°F] 4A
- Max. Voltage 125 V
- Connection Type\* Female QUICKON Fast-Connect
- Conductor Cross-Section 0.14 mm<sup>2</sup>...0.34 mm<sup>2</sup>
- Stranded Min...Max [AWG 26...22]

#### Environment

- Temperature Range
  - Operating and Storage -25 to 80°C [-13 to 176°F]
- Degree of Protection IP65

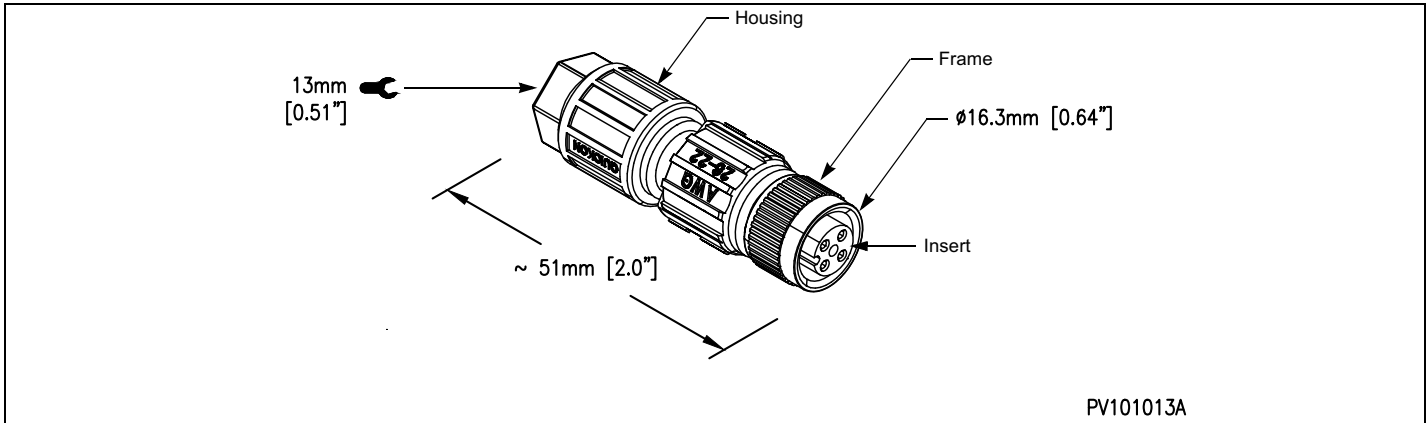
#### Physical Characteristics

- Contact Surface Material Gold (AU)
- Frame Material\* Zinc Die-Cast, Nickel-plated
- Housing Material\* Polyamide (PA)
- Insert Material\* Polyamide (PA)

\*Information is specific to the non-shielded, straight female type connector, other products and specifications on following page.

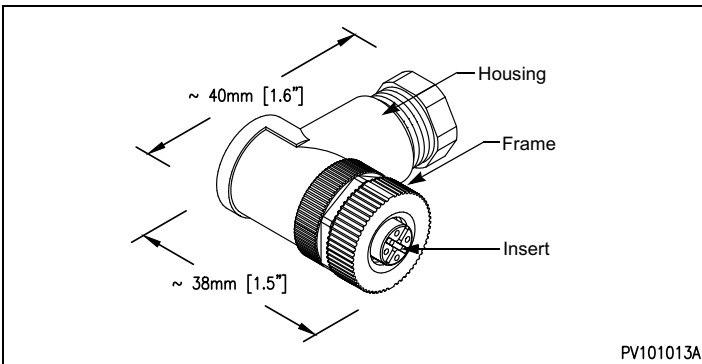


## M12 Non-Shielded, Straight Connector (Female Type) Dimensions



## Other Recommended Products

### M12 Non-Shielded, Right Angle Connector (Female Type)

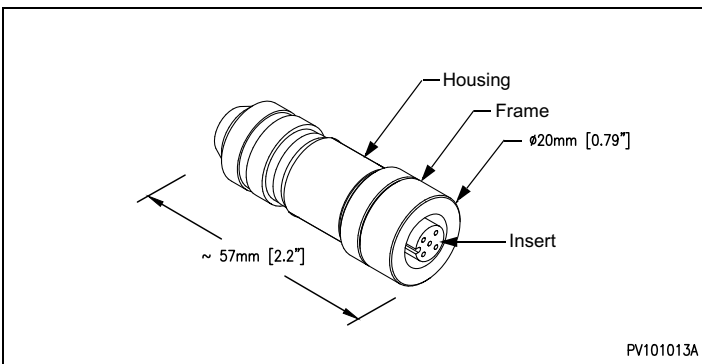


### General Specifications

• Number of Positions	5
• Connection Type	Spring Clamp*
• Frame Material	Brass (CuZn)
• Housing Material	Polybutylene Terephthalate (PBT)
• Insert Material	Polyamide (PA)

\*Connector comes with opening tool for spring clamp

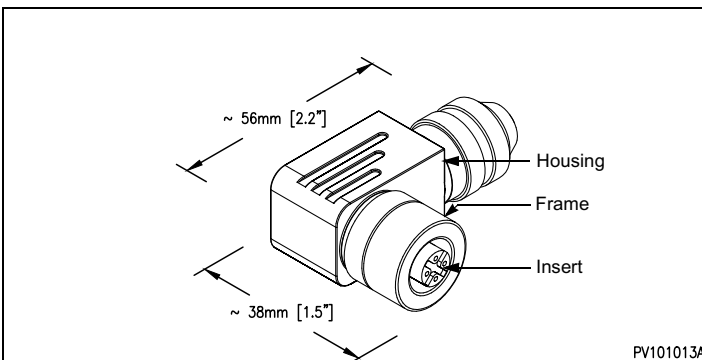
### M12 Shielded, Straight Connector (Female Type)



### General Specifications

• Number of Positions	4
• Connection Type	Screw Locking
• Frame Material	Zinc Die-Cast, Nickel-plated
• Housing Material	Zinc Die-Cast, Nickel-Plated
• Insert Material	Polyamide (PA)

### M12 Shielded, Right Angle Connector (Female Type)



### General Specifications

• Number of Positions	4
• Connection Type	Screw Locking
• Frame Material	Zinc Die-Cast, Nickel-plated
• Housing Material	Zinc Die-Cast, Nickel-plated
• Insert Material	Polyamide (PA)