



## FOA™ - SERIES

Fiber Optic Accelerometers

User's Manual







## Safety Information

The following manual contains information and warnings. They must be followed in order to keep the instrument in a working condition and ensure safe operation.

### Safety Symbols

	<b>Warning - Danger</b> - Identifies conditions or practices that could cause physical harm or death.
	<b>Caution</b> - Identifies conditions or practices that could result in a permanent loss of data or damage the measuring chain and/or other equipment to which it is connected.
	<b>Important Information</b> - Identifies important information, hints, and tips that must be read and applied.
	GND or earth ground

### Safety Precautions

 <b>Warning - Danger</b>  <b>Caution</b>
<ul style="list-style-type: none"><li>• To use the described product correctly and safely, read and follow all safety instructions or warnings that appear throughout this manual.</li><li>• This product is intended to be used by qualified operators and maintenance personnel who recognize shock hazards and are familiar with the safety precautions required to avoid possible injury. Read and follow all installation, operation, and maintenance information before using this product.</li><li>• Install and use this instrument only as specified in this manual or the protection provided by this product might be impaired.</li><li>• When in doubt that safety protection has been impaired, make this product inoperative and secure it against any unintended operation.</li><li>• Exercise caution when working with voltage levels above 30 VAC RMS or 42 VDC. These voltage levels are potential shock hazards.</li><li>• Follow all generally accepted safety practices and procedures when working with or around electricity.</li><li>• Do not use this product in wet environments.</li></ul>

VibroSystM®, the VibroSystM logo, ZOOM®, the ZOOM logo, and FOA™ are registered trademarks or trademarks of VibroSystM Inc.

This manual is provided solely for guidance. Vibrosystm Inc. takes no responsibility or liability for any damage caused by accidents, improper installation or misuse. Liability is limited to the repair and/or replacement of defective products.

VibroSystM Inc. 2727 Jacques-Cartier E. Blvd, Longueuil, QC, Canada J4N 1L7 | Phone: 450 646-2157 | U.S. Toll-free Line: 800 663-8379

Email: techsupp@vbrosystem.com | www.vbrosystem.com



## TABLE OF CONTENTS

<b>1. FOA-SERIES FIBER OPTIC ACCELEROMETER OVERVIEW .....</b>	<b>5</b>
1.1 Description .....	5
1.2 Main Unit Interventions .....	5
<b>2. FOA-SERIES ACCELEROMETER OPERATION .....</b>	<b>6</b>
2.1 Connecting the FOA-Series Accelerometer .....	6
<b>3. ACCELEROMETER INSTALLATION OVERVIEW.....</b>	<b>8</b>
3.1 Preliminary Considerations .....	8
3.2 Installation Guidelines .....	8
3.2.1 FOA-Series Sensor Head Installation.....	8
3.2.2 FOA-Series Fiber Optic Cable Installation .....	9
3.2.3 FOA-Series Signal Conditioner Installation.....	9





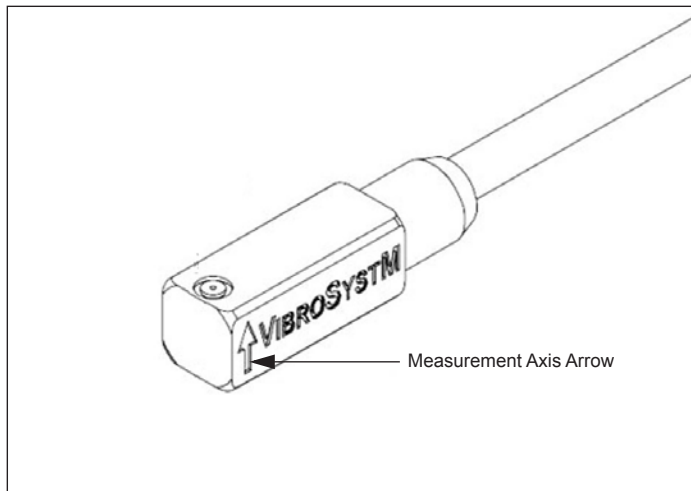
## 1. FOA-SERIES FIBER OPTIC ACCELEROMETER OVERVIEW

### 1.1 Description

FOA-Series Fiber Optic Accelerometers are designed to measure vibration amplitudes of high voltage components subjected to electrodynamic and mechanical stress, such as stator end windings.

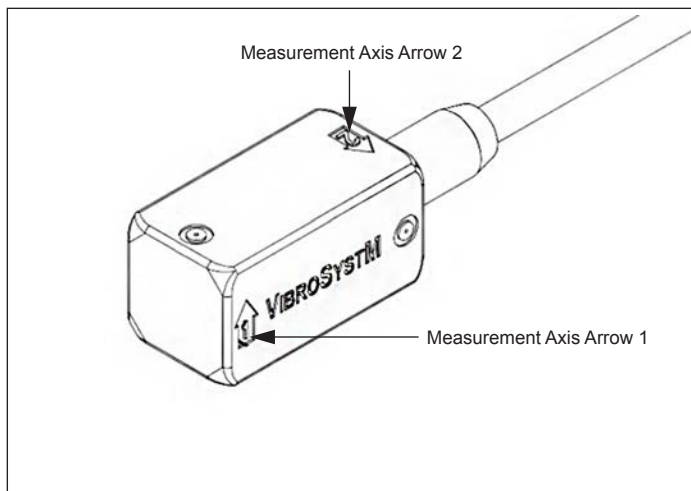
These sensors are non-conductive, immune to inductive effects as well as electromagnetic interference, and are suited for operation in hostile environments containing high voltage levels. They also come with a built-in conditioner, allowing them to be directly connected to an acquisition unit.

#### FOA-100E Fiber Optic Accelerometer



The FOA-100E is a single-axis accelerometer. The arrow on the sensor head indicates the measurement axis and vibration direction corresponding to an ascending signal.

#### FOA-200 Fiber Optic Accelerometer



The FOA-200 is a dual-axis accelerometer. The arrows on the sensor head indicate the measurement axes and vibration directions corresponding to ascending electric signals.

### 1.2 Main Unit Interventions

- Accelerometers must be glued on the stator bars.
- Fiber optic cables must be routed inside the stator housing.
- Epoxy resins must be applied inside the generator.



## 2. FOA-SERIES ACCELEROMETER OPERATION

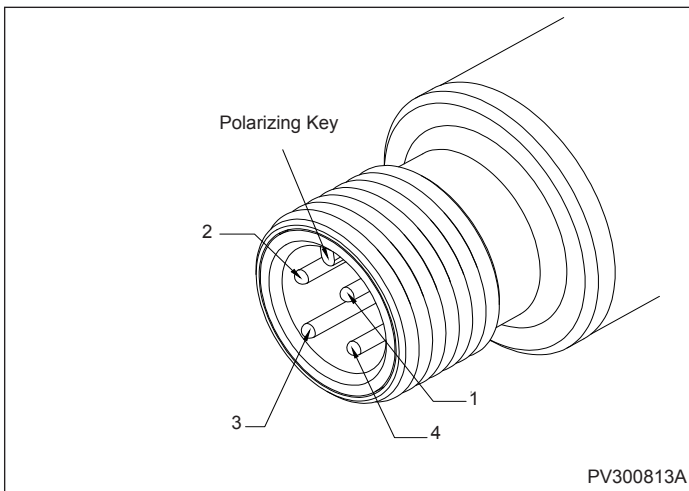
### 2.1 Connecting the FOA-Series Accelerometer

The FOA-Series conditioner must first be connected to a 24VDC power supply and a receiving instrument with signal cable and M12 connector. It is important to confirm each sensor's functionality before proceeding with a permanent installation.

The conditioner's outer shell must always be grounded. This is usually achieved by mounting the conditioner to an already grounded holder with a conductive surface.

The cable shield must also be grounded. It is important to ground the shield on one end only to avoid creating a ground loop. If the M12 connector at the end of the cable is insulated from the shield, the shield must then be grounded on the acquisition unit side. However, if the M12 connector at the end of the cable is connected to the shield, attaching the cable to the already grounded FOA-Series conditioner will automatically ground the shield. In this case, the shield must not be grounded on the acquisition unit side. The illustration below shows the pinout for the M12 connector.

#### FOA-100E / FOA-200 Pinout



The signal cable provided by VibroSystM may be replaced by any cable having similar characteristics. The table below shows the color codes, designations and specifications for VibroSystM's signal cable.

#### M12 Connector/Cable Pinout with FOA-100E

Pin #	Color	Designation	Specification
1	Brown	Power Supply	+24 VDC
2	White	-	-
3	Blue	Common	0 V
4	Black	Voltage Output	+6 VDC (+/-4 V AC peak)



### M12 Connector/Cable Pinout with FOA-200

Pin #	Color	Designation	Specification
1	Brown	Power Supply	+24 VDC
2	White	Voltage Output Axis #2 <b>(Arrow #2)</b>	+6 VDC (+/-4 V AC peak)
3	Blue	Common	0 V
4	Black	Voltage Output Axis #1 <b>(Arrow #1)</b>	+6 VDC (+/-4 V AC peak)



### 3. ACCELEROMETER INSTALLATION OVERVIEW

**⚠ Caution**

- Since this product has a multitude of possible applications, only an installation overview is explained. In order to properly complete the installation, VibroSystM must be present during sensor and commissioning. Please contact VibroSystM for more information regarding specific applications.

#### 3.1 Preliminary Considerations

When choosing a location for the sensor head, cable and conditioner, the following considerations must be taken into account:

- The conditioner's case must be properly grounded (usually through its holder).
- The electric insulation rating between the sensor head and signal conditioner is up to 3KV/mm.
- The distance between the sensor head and conditioner: the fiber optic cable has a set length of 10m [32.8 ft].
- The M12 connector/cable's total length must not exceed 350m [1150 ft].

FOA-100E and FOA-200 fiber optic accelerometers are designed and calibrated to operate strictly according to their respective specifications. The fiber optic cable between the sensor head and conditioner must not be cut or altered.

#### 3.2 Installation Guidelines

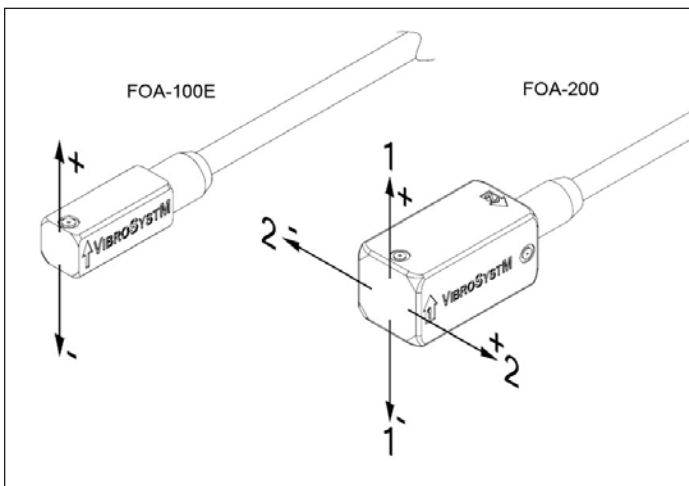
##### 3.2.1 FOA-Series Sensor Head Installation

**⚠ Caution**

- Avoid applying mechanical stress (twisting, pressure) on the sensor head. This may damage the sensor and lead to erroneous readings.

While fixing the sensor in place, make sure the arrows are positioned according to the desired measurement axes.

#### Typical Sensor Head Positioning







### 3.2.2 FOA-Series Fiber Optic Cable Installation

#### Caution

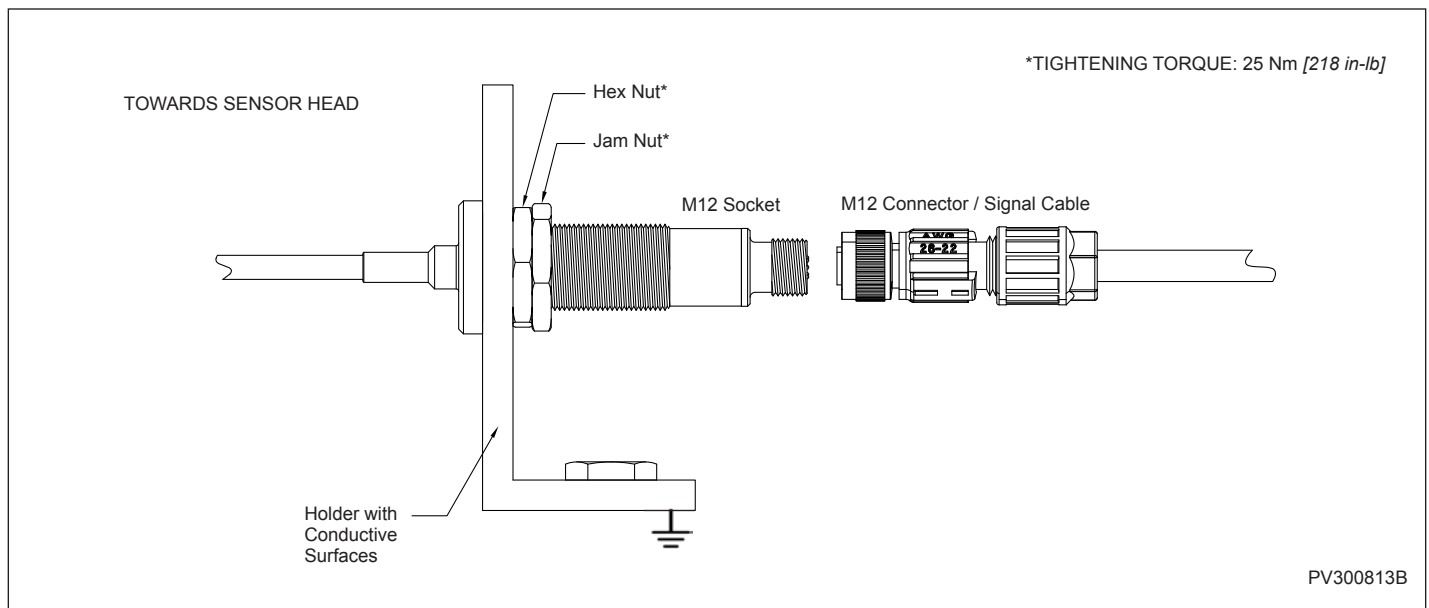
- The fiber optic cable must NEVER be bent below its minimum bending radius of 80 mm [3.15"]. All bends must have smooth curves and follow the cable's natural curvature. While handling the cable, avoid twisting or pulling it against sharp edges. This may break the fiber optic strands inside.
- Mechanical stress on the fiber optic cable (crushing, kinking) can cause damage and cause false readings.

All cables must be secured on their entire length. Ties should be used whenever possible. Excessive vibrations can cause irreversible damage to the sensor.

### 3.2.3 FOA-Series Signal Conditioner Installation

The FOA-Series signal conditioners are typically mounted on a holder and their housing must be grounded. Proceed with the installation of each conditioner as shown in the following illustration.

#### Detailed View of an FOA-Series Signal Conditioner Installation (FOA-100E Shown)



#### Important Information

- If it is not possible to mount the FOA-Series conditioner on a grounded holder, grounding must be provided by the M12 connector's shield.

